

ebm-papst Mulfingen GmbH &amp; Co. KG

## Nominal data

Type	R4E310-AQ31-12		
Motor	M4E074-EI		
Phase		1~	1~
Nominal voltage	VAC	230	230
Frequency	Hz	60	60
Method of obtaining data		fa	fa
Valid for approval/standard		CE	UL
Speed (rpm)	min <sup>-1</sup>	1700	1700
Power consumption	W	225	240
Current draw	A	1.13	1.06
Capacitor	µF	5	5
Capacitor voltage	VDB	450	450
Capacitor standard		S0 (CE)	UL
Min. back pressure	Pa	0	0
Min. back pressure	in. wg	0	0
Min. ambient temperature	°C	-25	-25
Max. ambient temperature	°C	50	50

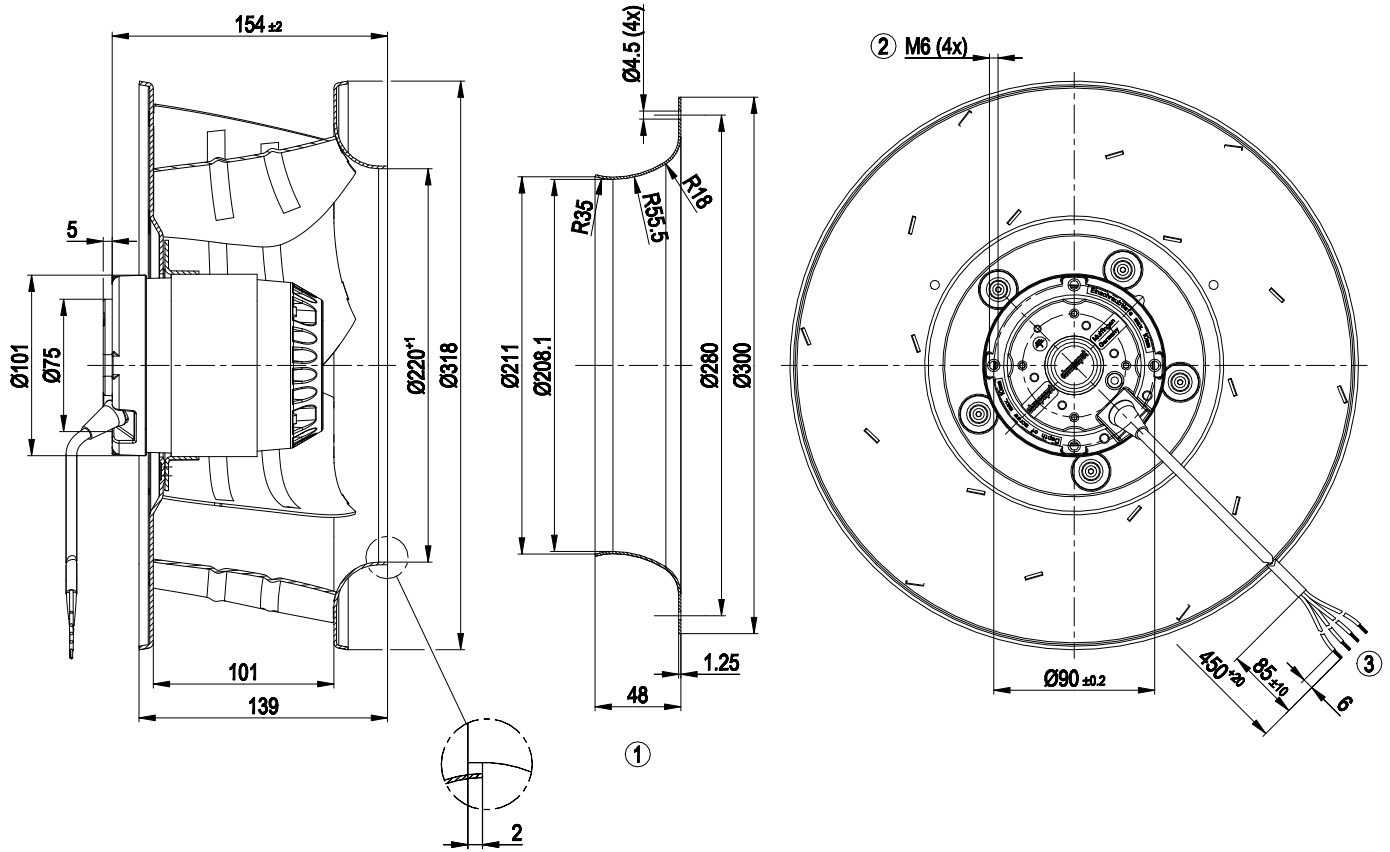
ml = Max. load · me = Max. efficiency · fa = Free air · cs = Customer specification · ce = Customer equipment  
Subject to change



## Technical description

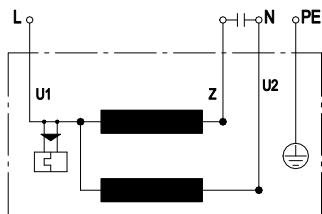
Weight	4.5 kg
Size	310 mm
Motor size	74
Rotor surface	Painted black
Impeller material	Sheet aluminum
Number of blades	6
Direction of rotation	Clockwise, viewed toward rotor
Degree of protection	IP44; installation- and position-dependent as per EN 60034-5
Insulation class	"F"
Moisture (F) / Environmental (H) protection class	H1
Max. permitted ambient temp. for motor (transport/storage)	+ 80 °C
Min. permitted ambient temp. for motor (transport/storage)	- 40 °C
Installation position	Shaft horizontal or rotor on bottom; rotor on top on request
Condensation drainage holes	On rotor side
Mode	S1
Motor bearing	Ball bearing
Touch current according to IEC 60990 (measuring circuit Fig. 4, TN system)	< 0.75 mA
Motor protection	Thermal overload protector (TOP) internally connected
With cable	Variable
Protection class	I (with customer connection of protective earth)
Conformity with standards	EN 60335-1; CE
Approval	CSA C22.2 No. 100; UL 1004-1

## Product drawing



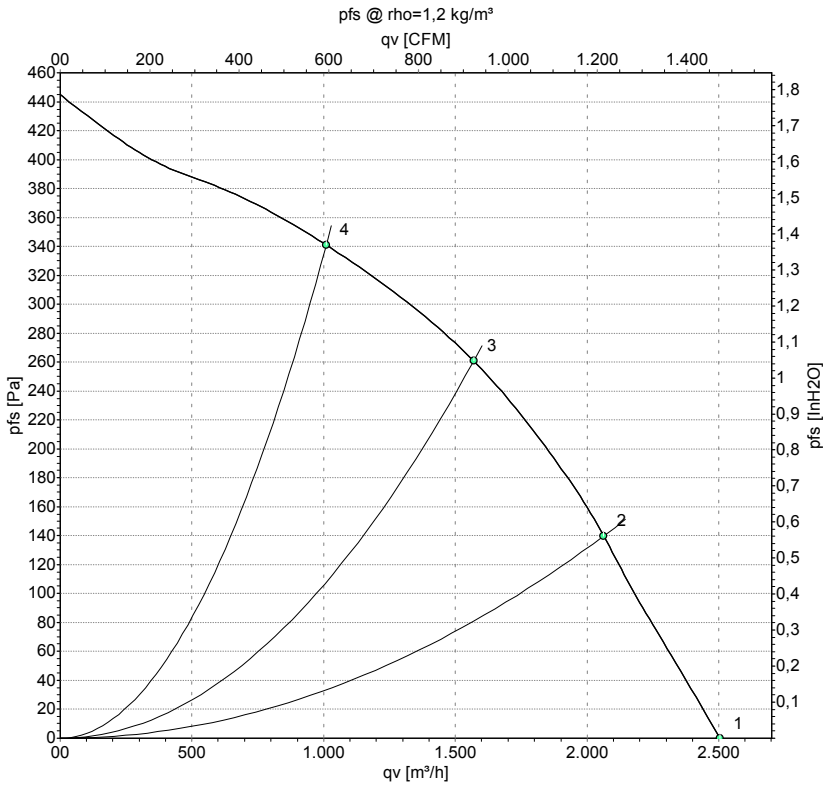
- 1 Accessory part: inlet ring 31050-2-4013, not included in scope of delivery. Short nozzle 31051-2-4013 on request.
- 2 Max. clearance for screw 10 mm
- 3 Cable PFA AWG20, 4x crimped splices

## Connection diagram



U1	blue	Z	brown	U2	black
PE	green/yellow				

## Curves: Air performance 60 Hz



Measurement: LU-58260-1

Air performance measured according to ISO 5801 installation category A. For detailed information on the measurement setup, contact ebm-papst. Intake sound level: Sound power level according to ISO 13347 / sound pressure level measured at 1 m distance from fan axis. The values given are valid under the specified measuring conditions and may vary due to conditions of installation. For deviations from the standard configuration, the parameters have to be checked on the installed unit.

## Measured values

	U	f	n	P <sub>e</sub>	I	q <sub>v</sub>	p <sub>fs</sub>	q <sub>v</sub>	p <sub>fs</sub>
	V	Hz	min <sup>-1</sup>	W	A	m <sup>3</sup> /h	Pa	cfm	in. wg
1	230	60	1700	225	1.13	2505	0	1475	0.00
2	230	60	1675	256	1.24	2065	140	1215	0.56
3	230	60	1655	276	1.31	1570	260	925	1.04
4	230	60	1675	257	1.24	1010	340	595	1.36

U = Voltage · f = Frequency · n = Speed (rpm) · P<sub>e</sub> = Power consumption · I = Current draw · q<sub>v</sub> = Air flow · p<sub>fs</sub> = Pressure increase

